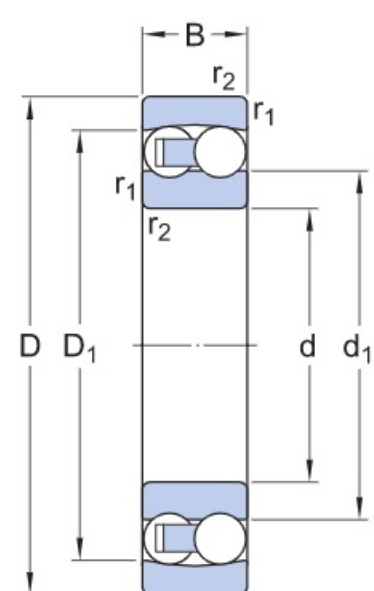


# 1205 DKFL



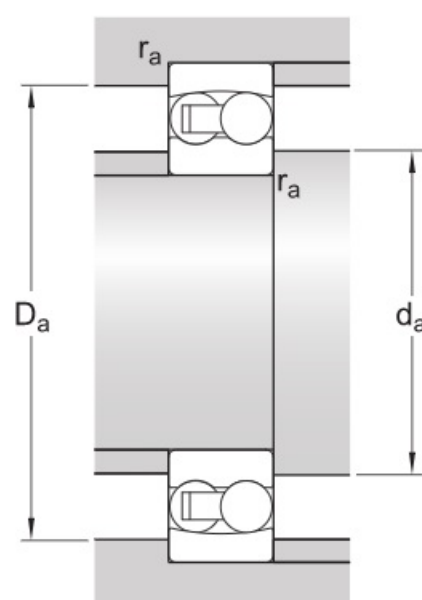
Bore type

Cylindrical



## Dimensions

d	25 mm	Bore diameter
D	52 mm	Outside diameter
B	15 mm	Width
d <sub>1</sub>	≈ 33.3 mm	Shoulder diameter inner ring
D <sub>1</sub>	≈ 44.6 mm	Shoulder diameter outer ring
r <sub>1,2</sub>	min. 1 mm	Chamfer dimension



## Abutment dimensions

d <sub>a</sub>	min. 30.6 mm	Abutment diameter shaft
D <sub>a</sub>	max. 46.4 mm	Abutment diameter housing
r <sub>a</sub>	max. 1 mm	Fillet radius

## Calculation data

Basic dynamic load rating	C	14.3 kN
Basic static load rating	C <sub>0</sub>	4 kN
Fatigue load limit	P <sub>u</sub>	0.204 kN
Reference speed		28 000 r/min
Limiting speed		18 000 r/min
Permissible angular misalignment	α	2.5 °
Calculation factor	k <sub>r</sub>	0.04
Calculation factor	e	0.28
Calculation factor	Y <sub>0</sub>	2.5
Calculation factor	Y <sub>1</sub>	2.2
Calculation factor	Y <sub>2</sub>	3.5

## Mass

Mass bearing

0.14 kg