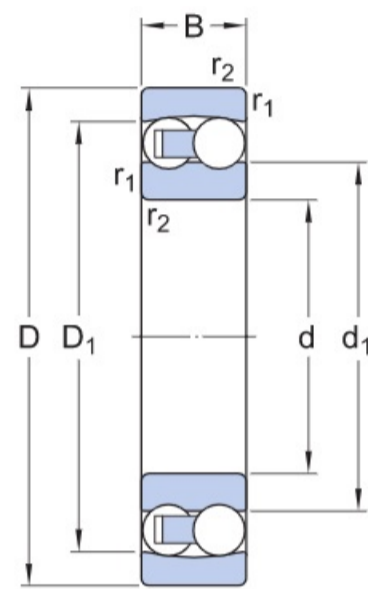


1310 DKFL



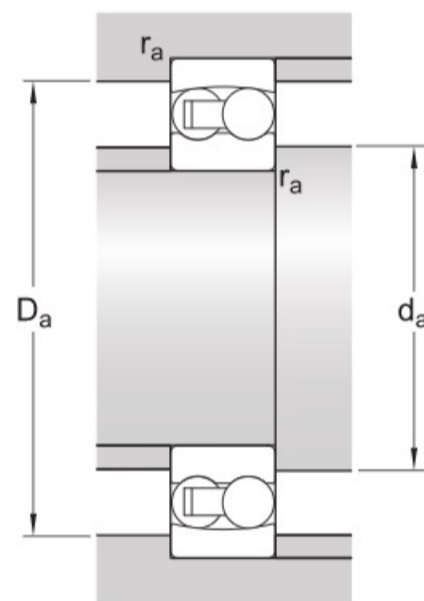
Bore type

Cylindrical



Dimensions

d	50 mm	Bore diameter
D	110 mm	Outside diameter
B	27 mm	Width
d ₁	≈ 70.3 mm	Shoulder diameter inner ring
D ₁	≈ 92.6 mm	Shoulder diameter outer ring
r _{1,2}	min. 2 mm	Chamfer dimension



Abutment dimensions

d _a	min. 61 mm	Abutment diameter shaft
D _a	max. 99 mm	Abutment diameter housing
r _a	max. 2 mm	Fillet radius

Calculation data

Basic dynamic load rating	C	43.6 kN
Basic static load rating	C ₀	14 kN
Fatigue load limit	P _u	0.72 kN
Reference speed		12 000 r/min
Limiting speed		8 000 r/min
Permissible angular misalignment	α	3 °
Calculation factor	k _r	0.04
Calculation factor	e	0.24
Calculation factor	Y ₀	2.8
Calculation factor	Y ₁	2.6
Calculation factor	Y ₂	4.1

Mass

Mass bearing

1.2 kg