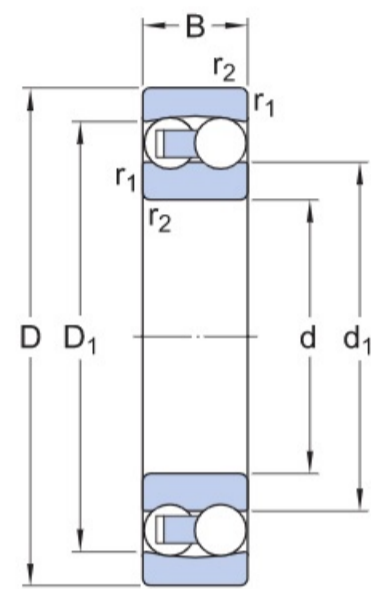


1206 DKFL



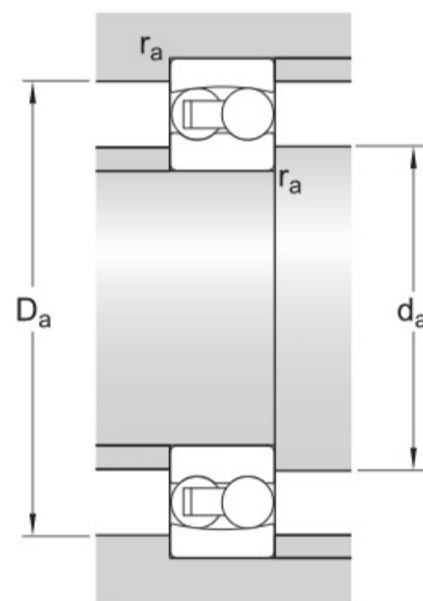
Bore type

Cylindrical



Dimensions

d	30 mm	Bore diameter
D	62 mm	Outside diameter
B	16 mm	Width
d ₁	≈ 40.3 mm	Shoulder diameter inner ring
D ₁	≈ 51.9 mm	Shoulder diameter outer ring
r _{1,2}	min. 1 mm	Chamfer dimension



Abutment dimensions

d _a	min. 35.6 mm	Abutment diameter shaft
D _a	max. 56.4 mm	Abutment diameter housing
r _a	max. 1 mm	Fillet radius

Calculation data

Basic dynamic load rating	C	15.6 kN
Basic static load rating	C ₀	4.65 kN
Fatigue load limit	P _u	0.24 kN
Reference speed		24 000 r/min
Limiting speed		15 000 r/min
Permissible angular misalignment	α	2.5 °
Calculation factor	k _r	0.04
Calculation factor	e	0.25
Calculation factor	Y ₀	2.5
Calculation factor	Y ₁	2.5
Calculation factor	Y ₂	3.9

Mass

Mass bearing

0.22 kg