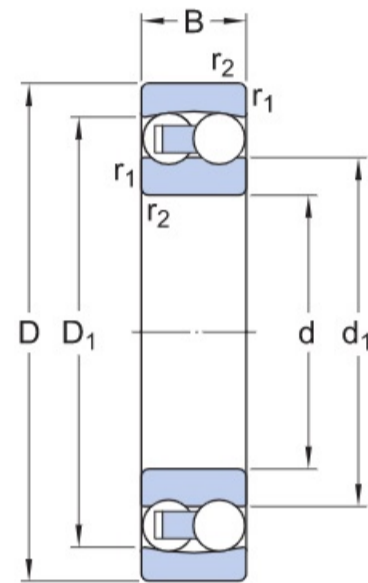


# 1305 DKFL



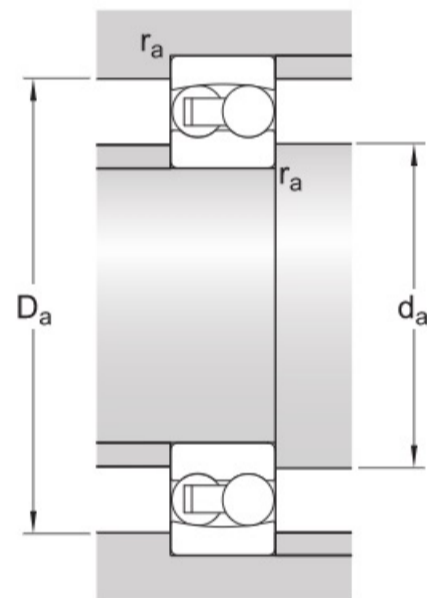
Bore type

Cylindrical



## Dimensions

|                  |             |                              |
|------------------|-------------|------------------------------|
| d                | 25 mm       | Bore diameter                |
| D                | 62 mm       | Outside diameter             |
| B                | 17 mm       | Width                        |
| d <sub>1</sub>   | ≈ 38 mm     | Shoulder diameter inner ring |
| D <sub>1</sub>   | ≈ 50.7 mm   | Shoulder diameter outer ring |
| r <sub>1,2</sub> | min. 1.1 mm | Chamfer dimension            |



## Abutment dimensions

|                |             |                           |
|----------------|-------------|---------------------------|
| d <sub>a</sub> | min. 32 mm  | Abutment diameter shaft   |
| D <sub>a</sub> | max. 55 mm  | Abutment diameter housing |
| r <sub>a</sub> | max. 1.1 mm | Fillet radius             |

## Calculation data

|                                  |                |              |
|----------------------------------|----------------|--------------|
| Basic dynamic load rating        | C              | 19 kN        |
| Basic static load rating         | C <sub>0</sub> | 5.4 kN       |
| Fatigue load limit               | P <sub>u</sub> | 0.28 kN      |
| Reference speed                  |                | 22 000 r/min |
| Limiting speed                   |                | 15 000 r/min |
| Permissible angular misalignment | α              | 3 °          |
| Calculation factor               | k <sub>r</sub> | 0.04         |
| Calculation factor               | e              | 0.28         |
| Calculation factor               | Y <sub>0</sub> | 2.5          |
| Calculation factor               | Y <sub>1</sub> | 2.2          |
| Calculation factor               | Y <sub>2</sub> | 3.5          |

## Mass

Mass bearing

0.26 kg